

Introducing the new generation of  
**Cepex thermoplastic ball valves**

## [IND] Series

- The new ball valve design is the result of Cepex's 30 years of experience and know-how in thermoplastic piping systems.

- Developed with the following principles in mind:

- **Highest quality**
- **Long term reliability**
- **Safety in operation**
- **Ergonomy**
- **Environment-friendly**

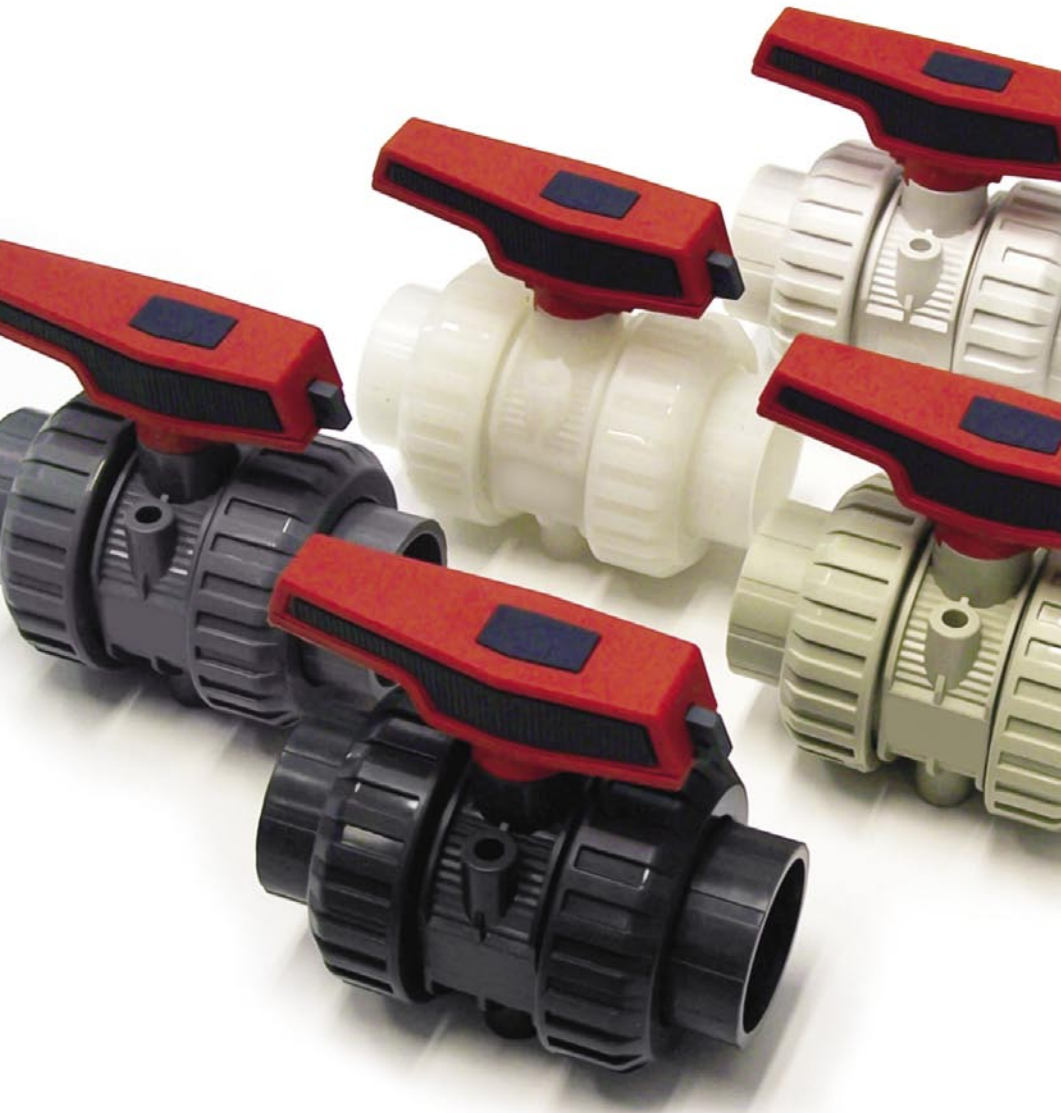
- The new series are available in several thermoplastic materials in order to offer the right valve for every application:

- **PVC-U**
- **PVC-C**
- **PP-H**
- **PVDF**
- **ABS**

- Compact space saving design.

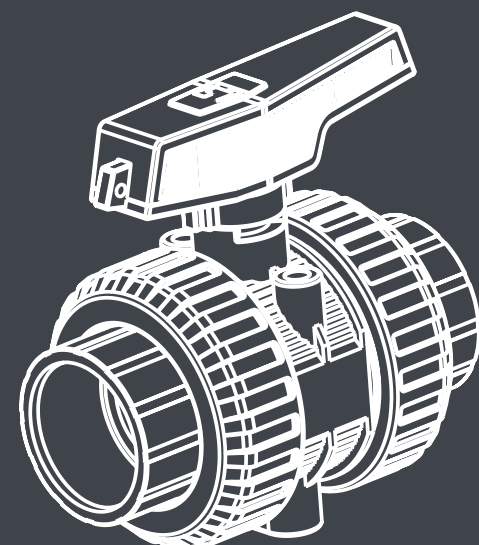
- Fast & easy automation (electric & pneumatic actuation)

- 100% leakproof testing is integrated in the production process.



**Revolutionary design.**  
**Unrivaled performance.**

> NEW PRODUCT





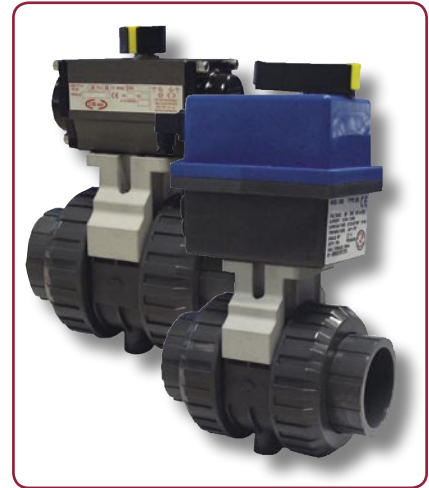
**Ergonomic operator-friendly handle** made of high resistance PP & **soft rubber anti-slide surface** for better grip and safer operation. Features a **built in locking device**, which prevents the system from unauthorized operations.

**Integrated fastening system**

Threaded inserts for fixed point direct mounting



**Handle built-in tool** for easy adjustment of the threaded seal carrier (ball torque)



**Electric or pneumatic actuators** are easily set up thanks to a new high resistance mounting clamp

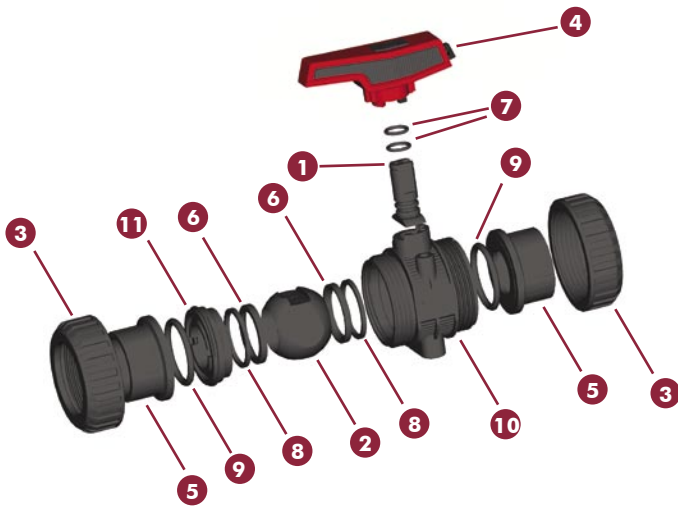


FIG.	Parts	Material
1	Shaft	PVC-U / PVC-C / PP-H / PVDF / ABS
2	Ball	PVC-U / PVC-C / PP-H / PVDF / ABS
3	Union nut	PVC-U / PVC-C / PP-H / PVDF / ABS
4	Handle	PP + TPE
5	End connector	PVC-U / PVC-C / PP-H / PVDF / ABS
6	Ball seat	Teflon®
7	Shaft o-ring	Food grade EPDM / Viton®
8	Dampener seal	Food grade EPDM / Viton®
9	End connector o-ring	Food grade EPDM / Viton®
10	Body	PVC-U / PVC-C / PP-H / PVDF / ABS
11	Seal-carrier	PVC-U / PVC-C / PP-H / PVDF / ABS

**Range**  
• D20 - D75 (1/2" - 2 1/2")

**Pressure rating**  
At 20 °C (73 °F)  
• D20 - D63 (1/2" - 2") PN 16 (240 psi)  
• D75 (2 1/2") PN 10 (150 psi)

